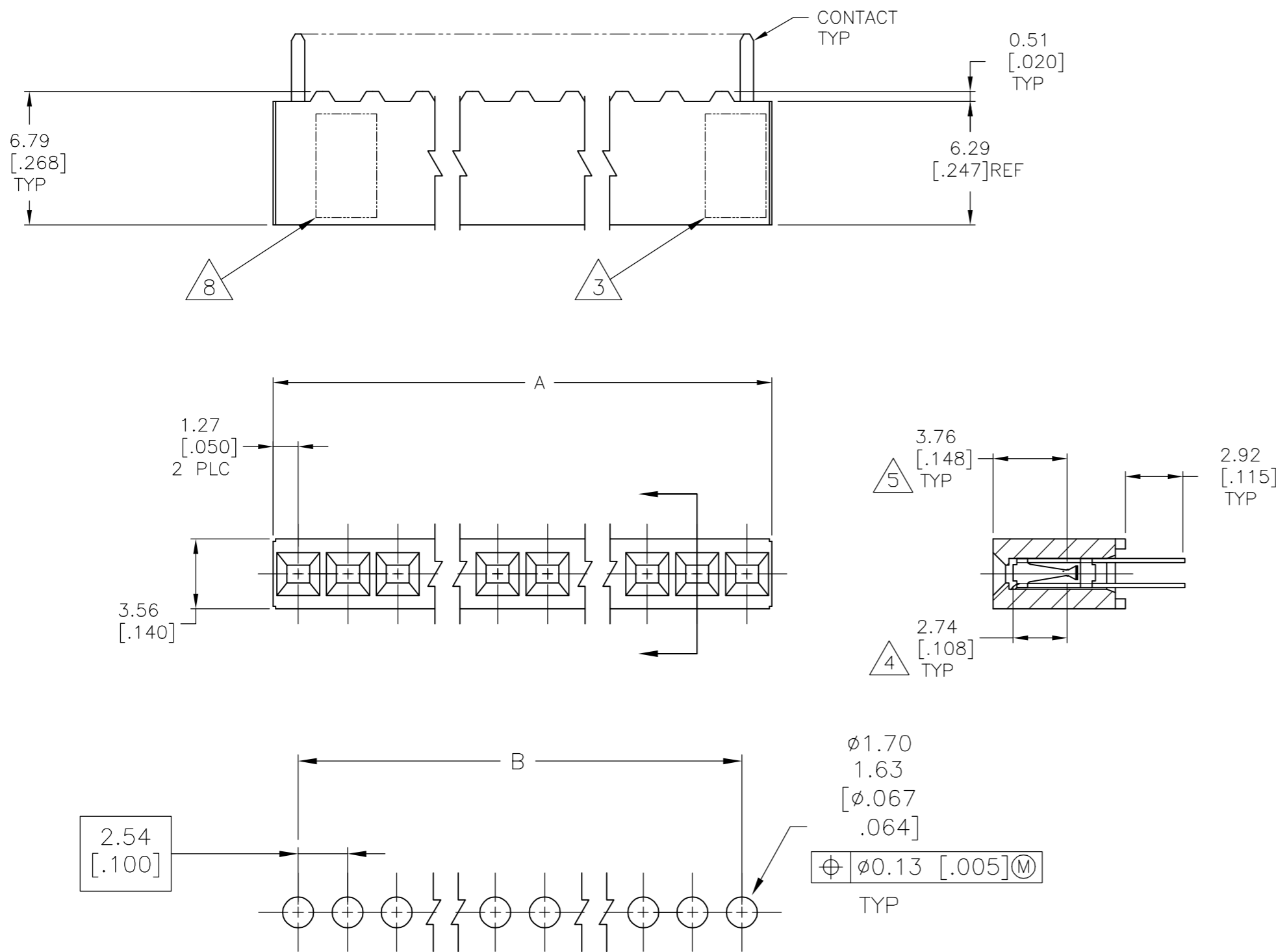


THIS DRAWING IS UNPUBLISHED. RELEASED FOR PUBLICATION
 © COPYRIGHT BY TYCO ELECTRONICS CORPORATION. ALL RIGHTS RESERVED.

LOC	DIST	REVISIONS			
P	LTR	DESCRIPTION	DATE	DWN	APVD
AD	00	AA	EC 0G3C 0748 04	11JAN05	BSV RB



RECOMMENDED PC BOARD HOLE PATTERN

PC BOARD THICKNESS 1.57 [.062]

- 1 HOUSING: GLASS FILLED FLAME RETARDANT POLYSTER, COLOR BLACK, CONTACTS: PHOSPHOR BRONZE.
- 2 CONTACTS: DUPLEX PLATED 0.76 MICROMETERS [.000030] GOLD IN CONTACT AREA 3.81-7.62 MICROMETERS [.000150-.000300] BRIGHT TIN-LEAD ON SOLDER LEADS. ALL OVER 1.27 [.000050] MIN NICKEL.
- 3 TYCO, CSA LOGO MOLDED INTO HOUSING.
- 4 POINT OF MEASUREMENT FOR PLATING THICKNESS, MEASURED INSIDE CONTACT BEAMS
- 5 POINT OF CONTACT DIMENSION.
- 6 CONTACTS: DUPLEX PLATED 0.76 MICROMETERS (.000030) GOLD IN CONTACT AREA 3.81-7.62 MICROMETERS (.000150-.000300) MATTE TIN ON SOLDER LEADS. ALL OVER 1.27 (.000050) MIN NICKEL.
- 7 ROHS 2002 /95/EC COMPLIANT.
- 8 PART NUMBER AND DATE CODE MARKED IN APPROXIMATE LOCATION SHOWN.
- 9 NO PART NUMBER MARKING REQUIRED FOR THIS PART.
- 10 FOR 2 POS, DATE CODES MARKED OPPOSITE SIDE OF TYCO LOGO.

2	5.08 [.200]	2.54 [.100]	2	9	10	3-87879-9
2	12.70 [.500]	10.16 [.400]	5	9	9	3-87879-8
2	7.62 [.300]	5.08 [.200]	3	9	9	3-87879-7
2	10.16 [.400]	7.62 [.300]	4	9	9	3-87879-6
2	101.60 [4.000]	99.06 [3.900]	40			3-87879-5
2	99.06 [3.900]	96.52 [3.800]	39			3-87879-4
2	96.52 [3.800]	93.98 [3.700]	38			3-87879-3
2	93.98 [3.700]	91.44 [3.600]	37			3-87879-2
2	91.44 [3.600]	88.90 [3.500]	36			3-87879-1
2	88.90 [3.500]	86.36 [3.400]	35			3-87879-0
2	86.36 [3.400]	83.82 [3.300]	34			2-87879-9
2	83.82 [3.300]	81.28 [3.200]	33			2-87879-8
2	81.28 [3.200]	78.74 [3.100]	32			2-87879-7
2	78.74 [3.100]	76.20 [3.000]	31			2-87879-6
2	76.20 [3.000]	73.66 [2.900]	30			2-87879-5
2	73.66 [2.900]	71.12 [2.800]	29			2-87879-4
2	71.12 [2.800]	68.58 [2.700]	28			2-87879-3
2	68.58 [2.700]	66.04 [2.600]	27			2-87879-2
2	66.04 [2.600]	63.50 [2.500]	26			2-87879-1
2	63.50 [2.500]	60.96 [2.400]	25			2-87879-0
2	60.96 [2.400]	58.42 [2.300]	24			1-87879-9
2	58.42 [2.300]	55.88 [2.200]	23			1-87879-8
2	55.88 [2.200]	53.34 [2.100]	22			1-87879-7
2	53.34 [2.100]	50.80 [2.000]	21			1-87879-6
2	50.80 [2.000]	48.26 [1.900]	20			1-87879-5
2	48.26 [1.900]	45.72 [1.800]	19			1-87879-4
2	45.72 [1.800]	43.18 [1.700]	18			1-87879-3
2	43.18 [1.700]	40.64 [1.600]	17			1-87879-2
2	40.64 [1.600]	38.10 [1.500]	16			1-87879-1
2	38.10 [1.500]	35.56 [1.400]	15			1-87879-0
2	35.56 [1.400]	33.02 [1.300]	14			87879-9
2	33.02 [1.300]	30.48 [1.200]	13			87879-8
2	30.48 [1.200]	27.94 [1.100]	12			87879-7
2	27.94 [1.100]	25.40 [1.000]	11			87879-6
2	22.86 [.900]	20.32 [.800]	9			87879-5
2	17.78 [.700]	15.24 [.600]	7			87879-4
2	15.24 [.600]	12.70 [.500]	6			87879-3
2	25.40 [1.00]	22.86 [.900]	10			87879-2
2	20.32 [.800]	17.78 [.700]	8			87879-1
FINISH	A	B	NO OF POSN	PART NUMBER		

THIS DRAWING IS A CONTROLLED DOCUMENT.

DWN	J KNAUB	12-20-93	Tyco Electronics Corporation Harrisburg, Pa 17105-3608			
CHK	A GABANY	6-28-94				
APVD	-	-				
NAME	CONNECTOR ASSEMBLY, MOD IV, SINGLE ROW .100CL, DUAL ENTRY					
DIMENSIONS:	TOLERANCES UNLESS OTHERWISE SPECIFIED:		SIZE	CAGE CODE	DRAWING NO	RESTRICTED TO
mm [INCHES]	0 PLC ± - 1 PLC ± - 2 PLC ± - 3 PLC ± .127 [.005] 4 PLC ± - ± - ANGLES ± - ± - FINISH		A2	00779	C=87879	-
MATERIAL	1	2 6	WEIGHT	SCALE 4:1		SHEET 1 OF 2
CUSTOMER DRAWING			REV AA			

THIS DRAWING IS UNPUBLISHED. RELEASED FOR PUBLICATION
 © COPYRIGHT BY TYCO ELECTRONICS CORPORATION. ALL RIGHTS RESERVED.

LOC	DIST	REVISIONS			
P	LTR	DESCRIPTION	DATE	DWN	APVD
		SEE SHEET 1			

10	9	6	5.08[.200]	2.54[.100]	2	7	8-87879-9
	9	6	12.70[.500]	10.16[.400]	5	7	8-87879-8
	9	6	7.62[.300]	5.08[.200]	3	7	8-87879-7
	9	6	10.16[.400]	7.62[.300]	4	7	8-87879-6
		6	101.60[4.000]	99.06[3.900]	40	7	8-87879-5
		6	99.06[3.900]	96.52[3.800]	39	7	8-87879-4
		6	96.52[3.800]	93.98[3.700]	38	7	8-87879-3
		6	93.98[3.700]	91.44[3.600]	37	7	8-87879-2
		6	91.44[3.600]	88.90[3.500]	36	7	8-87879-1
		6	88.90[3.500]	86.36[3.400]	35	7	8-87879-0
		6	86.36[3.400]	83.82[3.300]	34	7	7-87879-9
		6	83.82[3.300]	81.28[3.200]	33	7	7-87879-8
		6	81.28[3.200]	78.74[3.100]	32	7	7-87879-7
		6	78.74[3.100]	76.20[3.000]	31	7	7-87879-6
		6	76.20[3.000]	73.66[2.900]	30	7	7-87879-5
		6	73.66[2.900]	71.12[2.800]	29	7	7-87879-4
		6	71.12[2.800]	68.58[2.700]	28	7	7-87879-3
		6	68.58[2.700]	66.04[2.600]	27	7	7-87879-2
		6	66.04[2.600]	63.50[2.500]	26	7	7-87879-1
		6	63.50[2.500]	60.96[2.400]	25	7	7-87879-0
		6	60.96[2.400]	58.42[2.300]	24	7	6-87879-9
		6	58.42[2.300]	55.88[2.200]	23	7	6-87879-8
		6	55.88[2.200]	53.34[2.100]	22	7	6-87879-7
		6	53.34[2.100]	50.80[2.000]	21	7	6-87879-6
		6	50.80[2.000]	48.26[1.900]	20	7	6-87879-5
		6	48.26[1.900]	45.72[1.800]	19	7	6-87879-4
		6	45.72[1.800]	43.18[1.700]	18	7	6-87879-3
		6	43.18[1.700]	40.64[1.600]	17	7	6-87879-2
		6	40.64[1.600]	38.10[1.500]	16	7	6-87879-1
		6	38.10[1.500]	35.56[1.400]	15	7	6-87879-0
		6	35.56[1.400]	33.02[1.300]	14	7	5-87879-9
		6	33.02[1.300]	30.48[1.200]	13	7	5-87879-8
		6	30.48[1.200]	27.94[1.100]	12	7	5-87879-7
		6	27.94[1.100]	25.40[1.000]	11	7	5-87879-6
		6	22.86[.900]	20.32[.800]	9	7	5-87879-5
		6	17.78[.700]	15.24[.600]	7	7	5-87879-4
		6	15.24[.600]	12.70[.500]	6	7	5-87879-3
		6	25.40[1.00]	22.86[.900]	10	7	5-87879-2
		6	20.32[.800]	17.78[.700]	8	7	5-87879-1
FINISH		A	B	NO OF POSN	PART NUMBER		

THIS DRAWING IS A CONTROLLED DOCUMENT.		DWN J KNAUB 12-20-93	tyco Tyco Electronics Corporation	
DIMENSIONS: mm [INCHES]		CHK A GABANY 6-28-94	Electronics Harrisburg, Pa 17105-3608	
TOLERANCES UNLESS OTHERWISE SPECIFIED: 0 PLC ± - 1 PLC ± - 2 PLC ± - 3 PLC ± .127[.005] 4 PLC ± - ANGLES ± -		APVD -	NAME CONNECTOR ASSEMBLY, MOD IV, SINGLE ROW .100CL, DUAL ENTRY	
MATERIAL 1		PRODUCT SPEC 108-25022	SIZE A2	RESTRICTED TO -
FINISH 2 6		APPLICATION SPEC 114-25018	CAGE CODE 00779	DRAWING NO C=87879
CUSTOMER DRAWING		WEIGHT -	SCALE 1:1	SHEET 2 OF 2
			REV AA	